

Wamego Technology Center



CREATORS SHOW & TELL

Questions?

Contact Jana Lindley: lindleyj@usd320.com or 785-456-2214 x5204

Your project is to make the LEDs light up using the microcontroller in this kit and then show & tell about it at our event at Iron Clad.

Your kit contains:

A 9 volt battery, colored LED Diodes, and an Adafruit Trinket mini microcontroller.

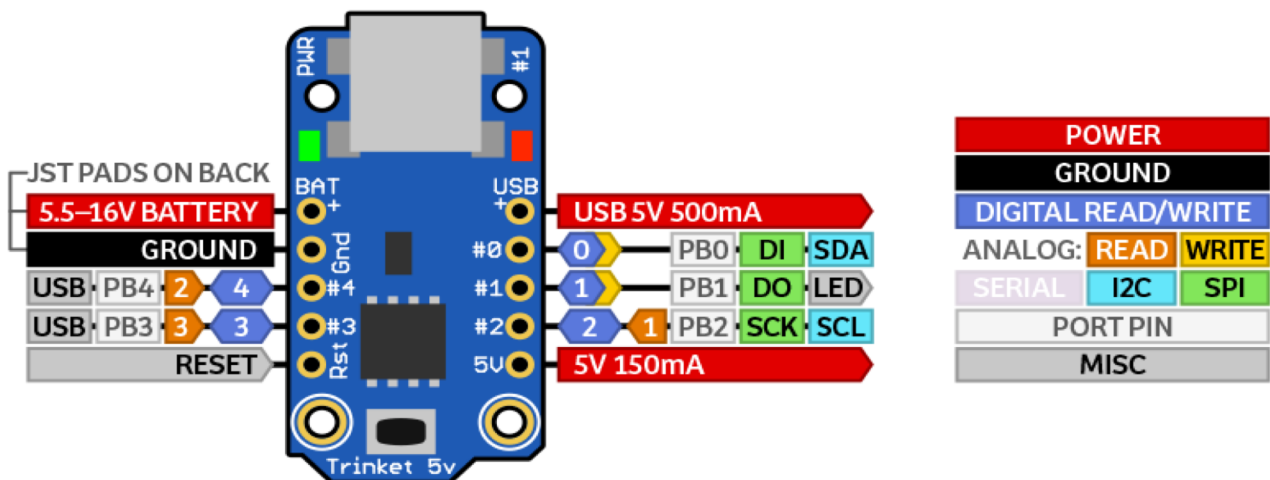
Advanced Draw-Circuit Kit Instructions

YouTube video link about the product: <https://www.youtube.com/watch?v=3075oA2fwjl>

https://youtu.be/57w7e6_3MPg

<https://learn.adafruit.com/introducing-trinket>

TRINKET 5V



THANK YOU TO OUR SPONSORS!

